

# PRODUCT INFORMATION PACKET

Model No: LM24268

Catalog No: LM24268

Automotive Duty Motor, 0.50 HP, 3 Ph, 60 Hz, 230/460 V, 1200 RPM, 56 Frame, TENV



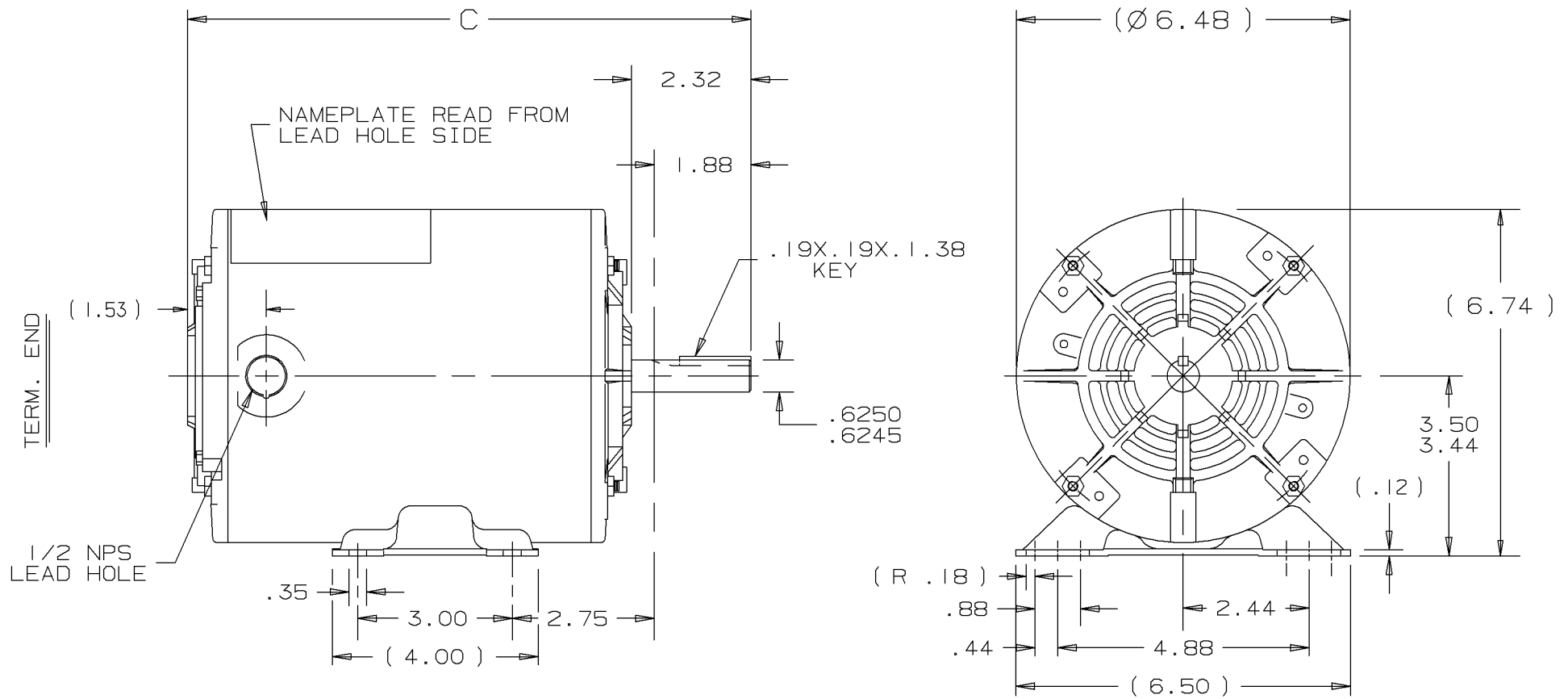
Regal and are trademarks of Regal Rexnord Corporation or one of its affiliated companies.  
©2022 Regal Rexnord Corporation, All Rights Reserved. MC017097E

**Nameplate Specifications**

Output HP	<b>0.50 Hp</b>	Output KW	<b>0.37 kW</b>
Frequency	<b>60 Hz</b>	Voltage	<b>230/460 V</b>
Current	<b>1.9/0.95 A</b>	Speed	<b>1140 rpm</b>
Service Factor	<b>1</b>	Phase	<b>3</b>
Efficiency	<b>78.5 %</b>	Power Factor	<b>63.5</b>
Duty	<b>Continuous</b>	Insulation Class	<b>F</b>
Design Code	<b>B</b>	KVA Code	<b>K</b>
Frame	<b>56</b>	Enclosure	<b>Totally Enclosed Non Ventilated</b>
Thermal Protection	<b>No Protection</b>	Ambient Temperature	<b>40 °C</b>
Drive End Bearing Size	<b>203</b>	Opp Drive End Bearing Size	<b>203</b>
UL	<b>Recognized</b>	CSA	<b>Y</b>
CE	<b>Y</b>	IP Code	<b>43</b>
Number of Speeds	<b>1</b>		

**Technical Specifications**

Electrical Type	<b>Squirrel Cage Induction Run</b>	Starting Method	<b>Across The Line</b>
Poles	<b>6</b>	Rotation	<b>Reversible</b>
Resistance Main	<b>37.6 Ohms</b>	Mounting	<b>Rigid Base</b>
Motor Orientation	<b>Horizontal</b>	Drive End Bearing	<b>Ball</b>
Opp Drive End Bearing	<b>Ball</b>	Frame Material	<b>Rolled Steel</b>
Shaft Type	<b>NEMA 56</b>	Overall Length	<b>11.94 in</b>
Frame Length	<b>8.06 in</b>	Shaft Diameter	<b>0.625 in</b>
Shaft Extension	<b>1.88 in</b>	Assembly/Box Mounting	<b>F1 ONLY</b>
Outline Drawing	<b>100108LN-806</b>	Connection Drawing	<b>EE7308-LN</b>

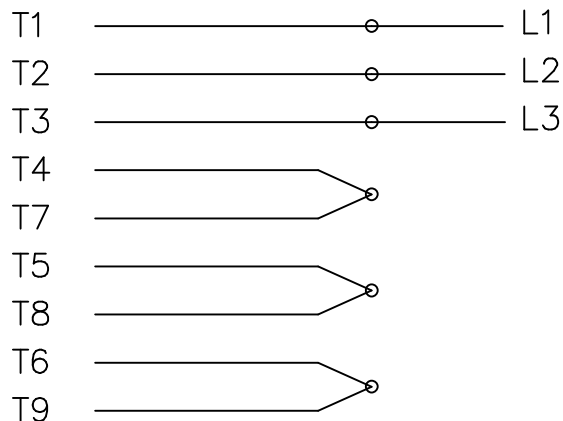


DASH	FR.	C			DASH	FR.	C		
					756	56-75	11.44		
606	56-60	9.94			806	"-80	11.94		
656	"-65	10.44			856	"-85	12.44		
706	"-70	10.94							

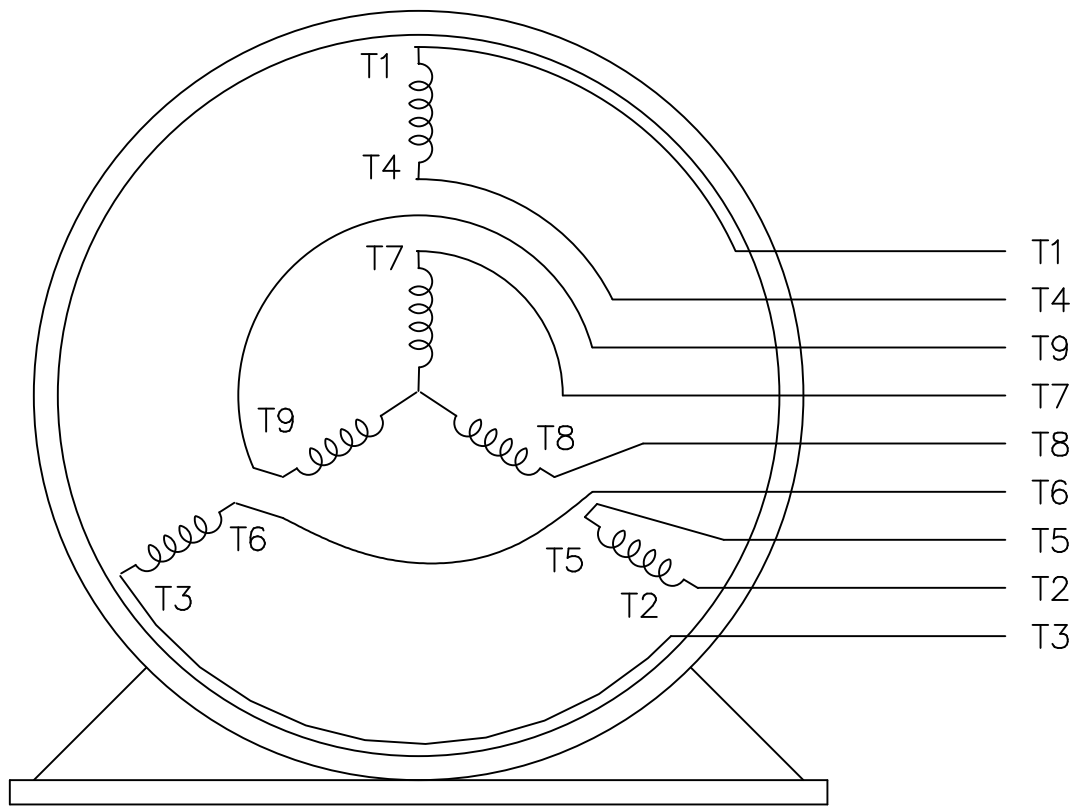
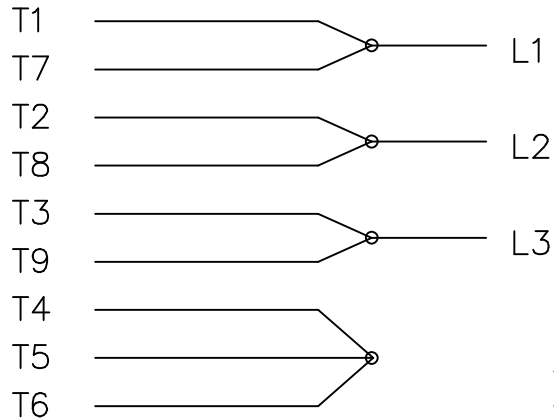
					UNLESS OTHERWISE SPECIFIED DIMENSIONS ARE IN INCHES TOL. ON XX±.02 XXX±.005 XXXX±.0005 ANGLES± 7°30"				
					MAX. SURFACE ROUGHNESS UNLESS OTHERWISE NOTED			DRAWN BY TRB 09-07-1999 CHKD BY ML 09-07-1999 APPD BY ET 09-08-1999	
1	09-08-1999	NEW DRAWING		TRB	PART NAME OUTLINE 56 FR - TENV - BB - 3Ø				DRWG NO A-100108LN
REV	DATE	CHANGE		NAME	PURCHASED		CADD FILE NO.	100108LN	

THREE PHASE  
DUAL VOLTAGE MOTOR

HIGH VOLTAGE



LOW VOLTAGE



VIEW OF TERMINAL END

REF.  
WINDING DIAGRAM

T8Y, T2Y, T2BL, T4BX, T2EC, T2G  
T6BZ, T2B, T6BL, T4AV, T6B, T4B

OPTIONAL CORD  
CONNECTION

L1 — WHITE  
L2 — RED  
L3 — BLACK

NO.	REVISION	BY & DATE	CHK	TOLERANCES UNLESS SPECIFIED		FINISH	DRAWN	ML	GK	DATE	SCALE	REV.	
				DEC.	INCHES								
				.X	±.1		BLR	ML	GK	06/11/1999	1=1		
3	ADDED THE OPTIONAL CORD CONNECTION	RDH 04/24/2003	DRS	.XX	±.02		BLR	ML	GK	06/18/1999			
2	RE-ISSUE, ADDED '-' TO PART NUMBER	BLR 08/09/1999	GK	.XXX	±.005		BLR	ML	GK	06/18/1999			
1	NEW DRAWING	BLR 06/18/1999	GK	.XXXX	±.0005		BLR	ML	GK	06/18/1999			
				ANG	±7'30"								
THIS DRAWING IN DESIGN AND DETAIL IS OUR PROPERTY AND MUST NOT BE USED EXCEPT IN CONNECTION WITH OUR WORK ALL RIGHTS OF DESIGN AND INVENTION ARE RESERVED THIS IS AN ELECTRONICALLY GENERATED DOCUMENT - DO NOT SCALE THIS PRINT						RFP	CAD FILE EE7308LN			SIZE	DRAWING NO.	PAGE OF	REV.
						DIST WP	A	EE7308-LN			3		



TITLE CONNECTION DIAGRAM  
3∅ - DUAL VOLTAGE MOTOR



**2100 WASHINGTON ST.  
GRAFTON, WI  
PH. 262-277-8810**

**CERTIFICATION DATA SHEET**

**CONN. DIAGRAM:** A-EE7308-LN

CATALOG #: LM24268

**OUTLINE:** A-100108LN-806

**WINDING #:** ZT630 TR 3

**MOUNTING:** F1 ONLY

**TYPICAL MOTOR PERFORMANCE DATA**

HP	kW	SYNC. RPM	F.L. RPM	FRAME	ENCLOSURE	KVA CODE	DESIGN
1/2	0.37	1200	1140	56	TENV	K	B

PH	Hz	VOLTS	AMPS	START TYPE	DUTY	INSL	S.F.	AMB°C
3	60	230/460	1.9/.95	ACROSS THE LINE	CONTINUOUS	F3	1.0	40

FULL LOAD EFF:	78.5	3/4 LOAD EFF:	78.5	1/2 LOAD EFF:	74.5	GTD. EFF		ELEC. TYPE	
FULL LOAD PF:	63.5	3/4 LOAD PF:	54.5	1/2 LOAD PF:	43.5	75.5		SQ CAGE IND RUN	

F.L. TORQUE	LOCKED ROTOR AMPS	L.R. TORQUE	B.D. TORQUE	F.L. RISE°C
2.3 LB-FT	10.2 / 5.1	5.8 LB-FT 252 %	7.4 LB-FT 322 %	45

SOUND PRESSURE @ 3 FT.	SOUND POWER	ROTOR WK^2	MAX. WK^2	SAFE STALL TIME	STARTS / HOUR	APPROX. MOTOR WGT
60 dBA	70 dBA	0.1 LB-FT^2	- LB-FT^2	15 SEC.	-	45 LBS.

**\*\*\* SUPPLEMENTAL INFORMATION \*\*\***

DE BRACKET TYPE	ODE BRACKET TYPE	MOUNT TYPE	ORIENTATION	SEVERE DUTY	HAZARDOUS LOCATION	DRIP COVER	SCREENS	PAINT
STANDARD HUBLESS	STANDARD HUBLESS	RIGID	HORIZONTAL	FALSE	NONE	FALSE	NONE	GRAY (POWDER)

BEARINGS		GREASE	SHAFT TYPE	SPECIAL DE	SPECIAL ODE	SHAFT MATERIAL	FRAME MATERIAL
DE	ODE						
BALL	BALL	POLYREX EM	STANDARD 56	NONE	NONE	1144 STRESSPROOF (C-223)	ROLLED STEEL
203	203						

THERMO-PROTECTORS				THERMISTORS	CONTROL	SPACE HEATERS
THERMOSTATS	PROTECTORS	WDG RTDs	BRG RTDs			
NONE	NOT	NONE	NONE	NONE	FALSE	NONE VOLTS

\*  
N  
O  
T  
E  
S

<b>INVERTER TORQUE:</b> NONE
<b>INV. HP SPEED RANGE:</b> NONE
<b>ENCODER:</b> NONE
NONE NONE
NONE NONE PPR
<b>BRAKE:</b> NONE NONE
NONE P/N NONE
NONE NONE
NONE FT-LB NONE V NONE Hz



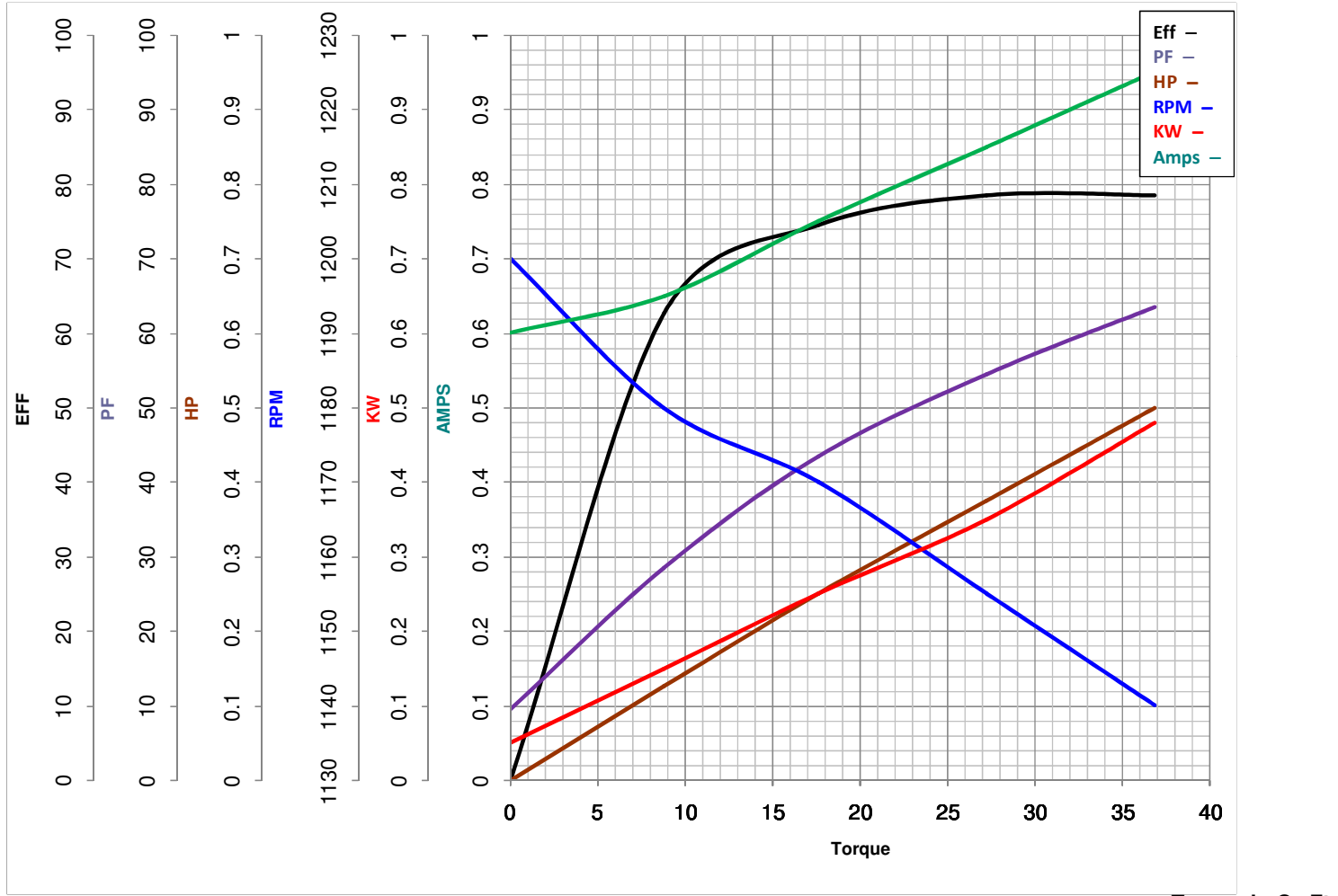
**LEESON ELECTRIC CORPORATION**  
 TYPICAL PERFORMANCE CURVE for AC MOTOR

Model No LM24268

Curve at 460 Volts      HP 0.50      PHASE 3  
60 HZ  
0.5 HP      VOLTS 230/460

Catalog No LM24268A

HZ 60      RPM 1140



FL TORQUE	<u>36.8</u>	Oz.Ft	FL AMPS	<u>1.9/95</u>	
BD TORQUE	<u>118.4</u>	Oz.Ft	PU TORQUE	<u>81.6</u>	Oz.Ft
LR TORQUE	<u>92.8</u>	Oz.Ft	LR AMPS	<u>5.1</u>	
WINDING	ZT630-3		Date	<u>6/4/2018</u>	

## EC Declaration of Conformity

The undersigned representing  
the manufacturer:

Regal Beloit America  
100 East Randolph St.  
Wausau, WI 54401

and the authorized representative  
established within the Community:

Marathon Electric UK  
6F Thistleton Road Ind. Estate  
Market Overton  
Oakham, Rutland LE15 7PP UK

are committed to providing customers with products that comply with applicable regulations and international protocols to which they are subject, including the requirements of the European Parliament Directive on the Harmonization of the laws relating to electrical equipment designed for use within certain voltage limits (2014/35/EU).

Regal Beloit America declares that the following product(s), to which this declaration relates, are in conformity with the relevant sections of the EC standards listed below.

This statement supersedes any statements previously issued pertaining to the product(s) listed below and is subject to change without notice.

Model No : LM24268

(Model No. may contain prefix and/or suffix characters)

Catalog No : LM24268

Rework No : N/A

Directives :

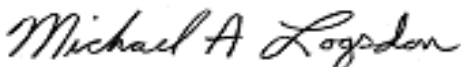
Low Voltage Directive 2014/35/EU

Harmonized Standards Used :

EN 60034-1: 2010 (IEC 60034-1: 2010)

EN 60034-5: 2001/A1:2007 (IEC 60034-5: 2000/A1:2006)

Authorized Representative:



Michael A. Logsdon  
Vice President, Technology

Authorized Representative in the Community:



Julian Clark  
Marketing Engineer

Created on 09/06/2022

**CE 22**